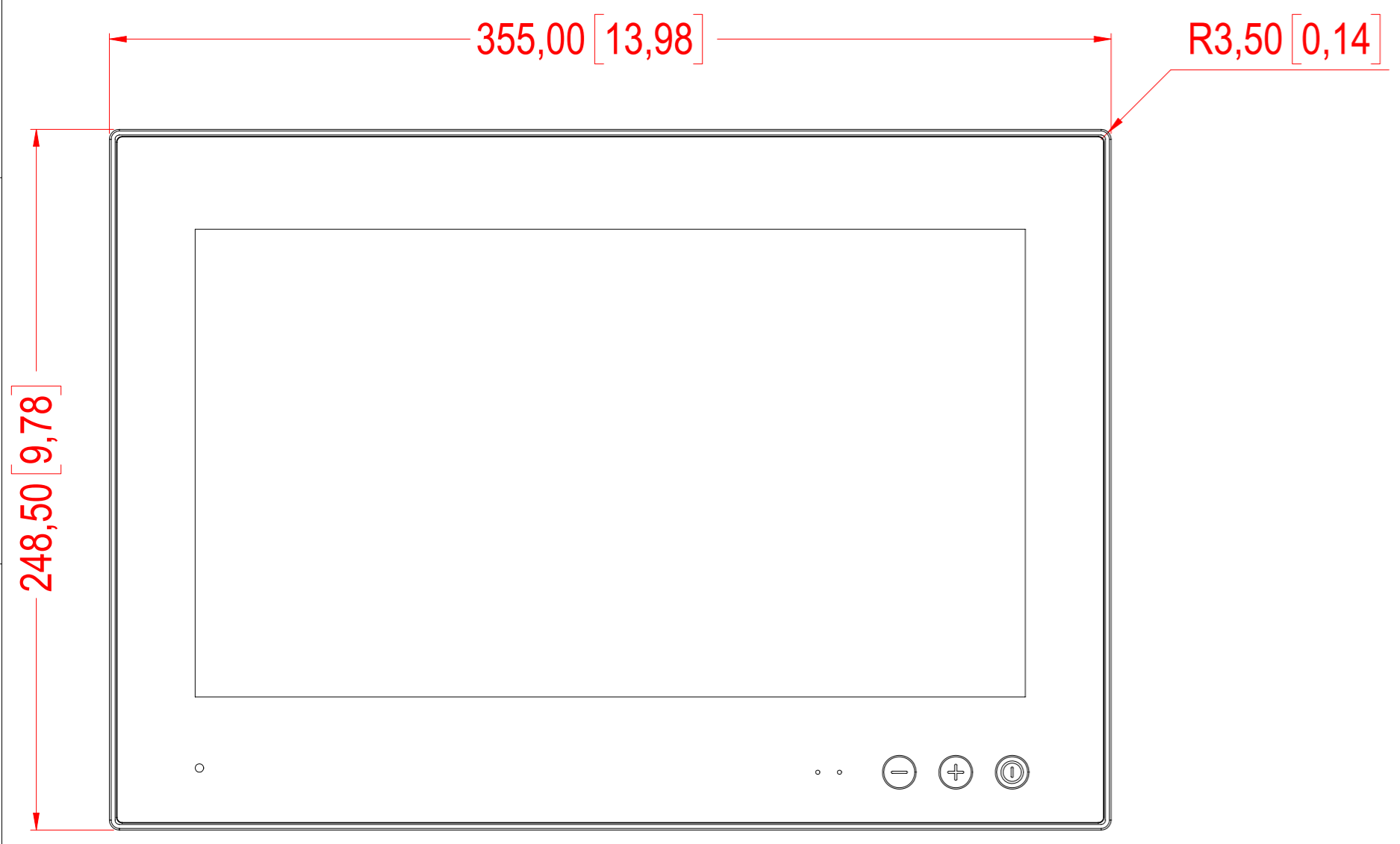
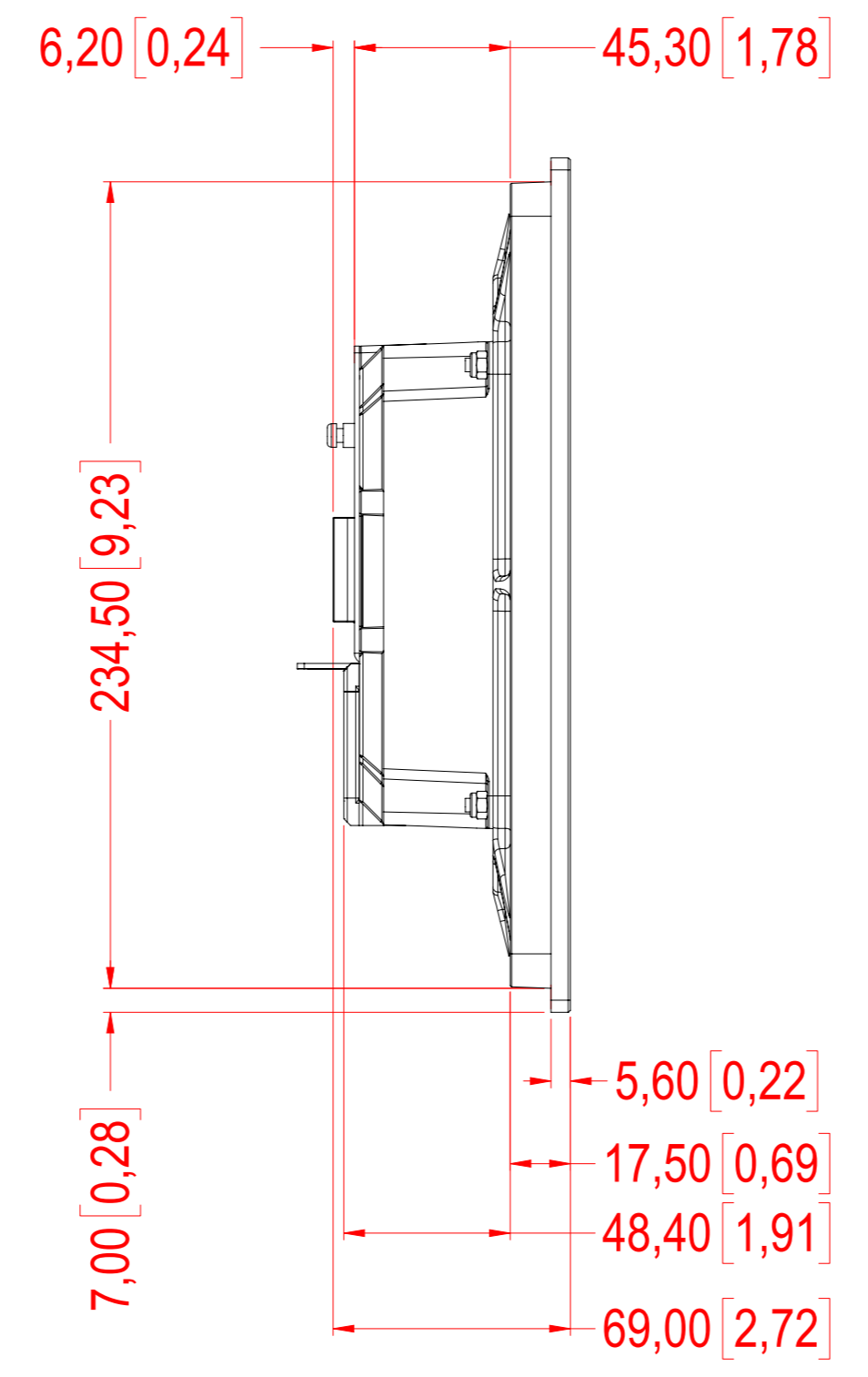


This document is the property of Hatteland Technology AS.
 This document and any authorized reproduction thereof, must not be used in any way against the interest of Hatteland Technology AS.
 Any authorized reproduction, in whole or in part, must include this legend.

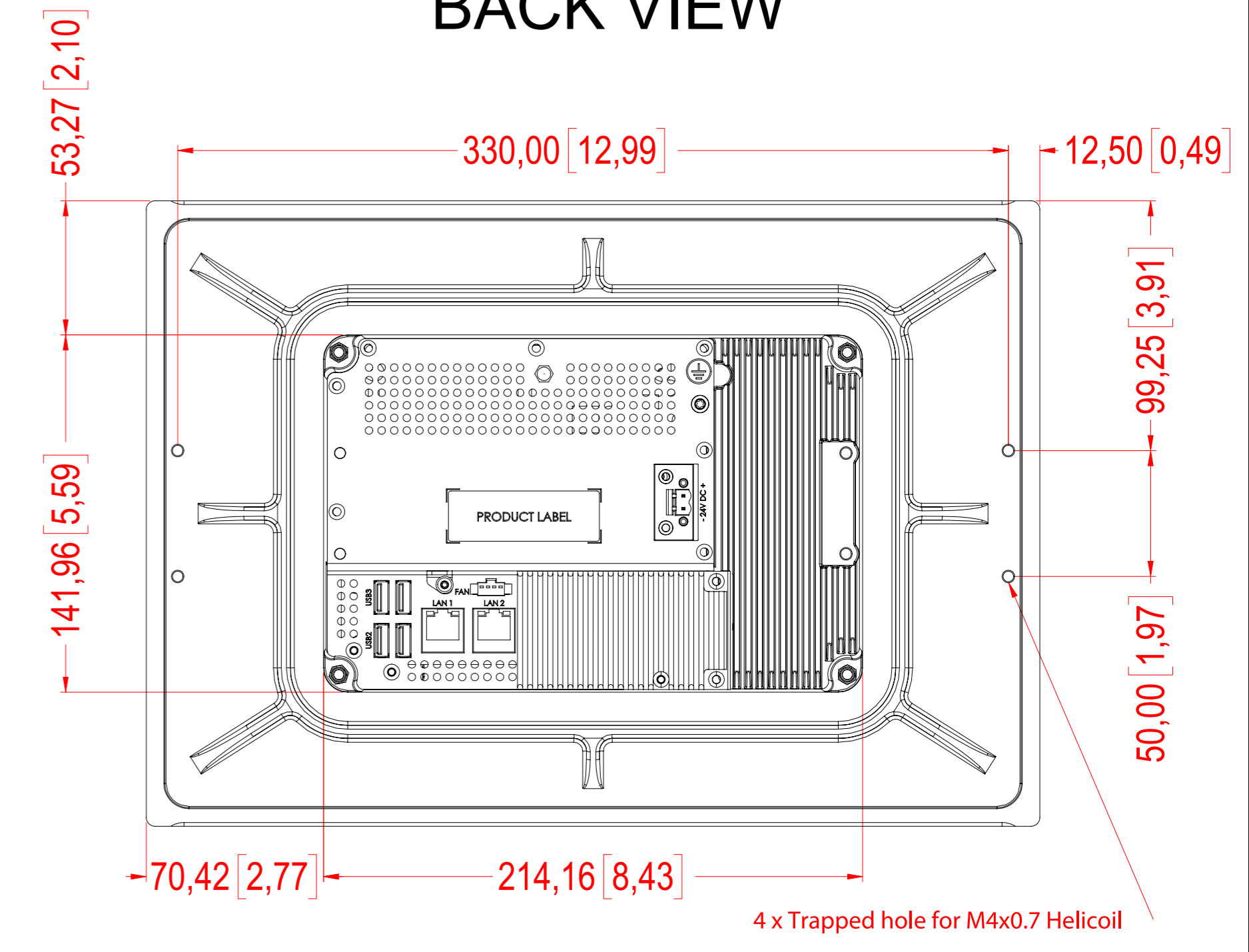
FRONT VIEW



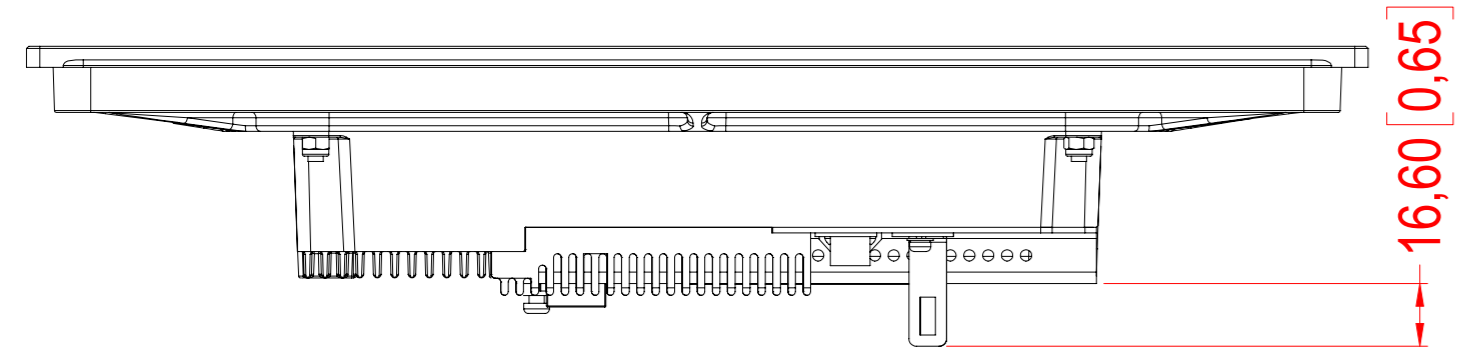
SIDE VIEW



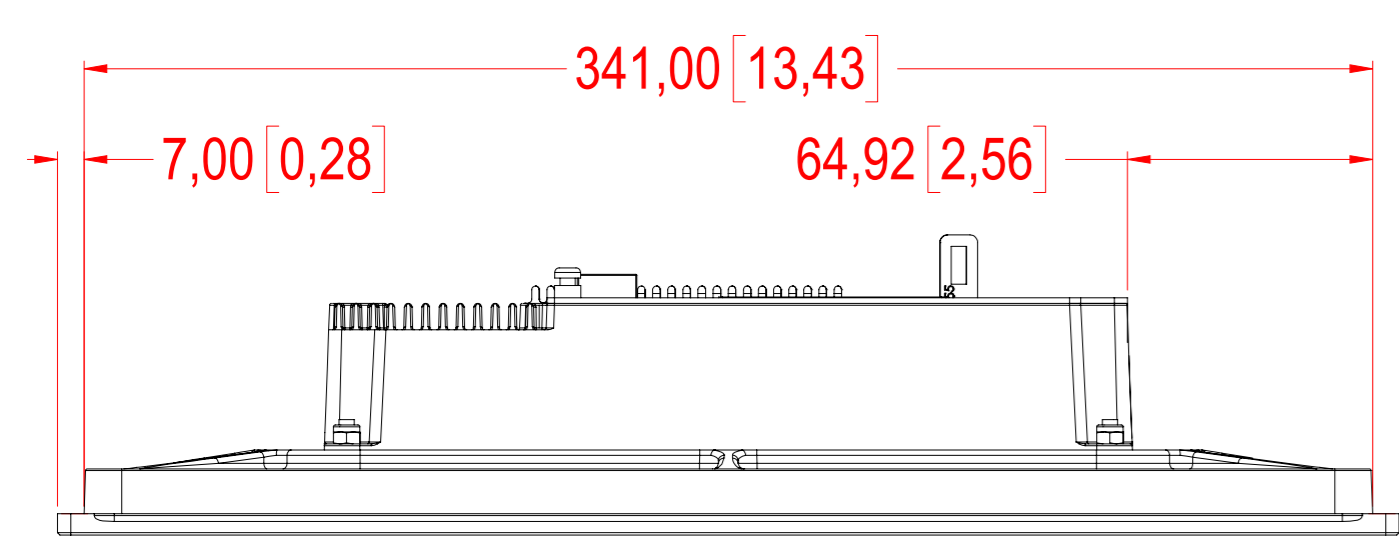
BACK VIEW



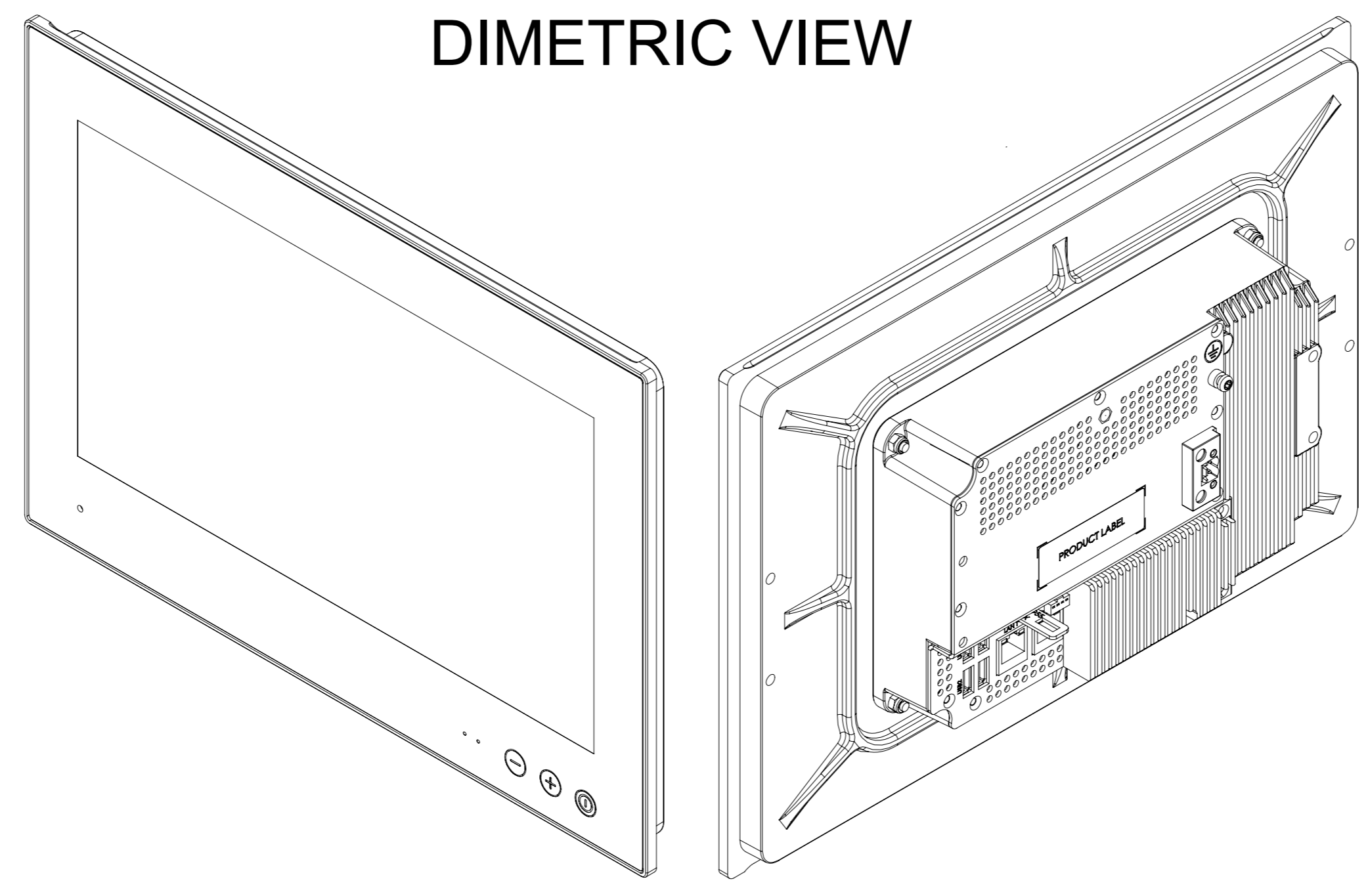
BOTTOM VIEW



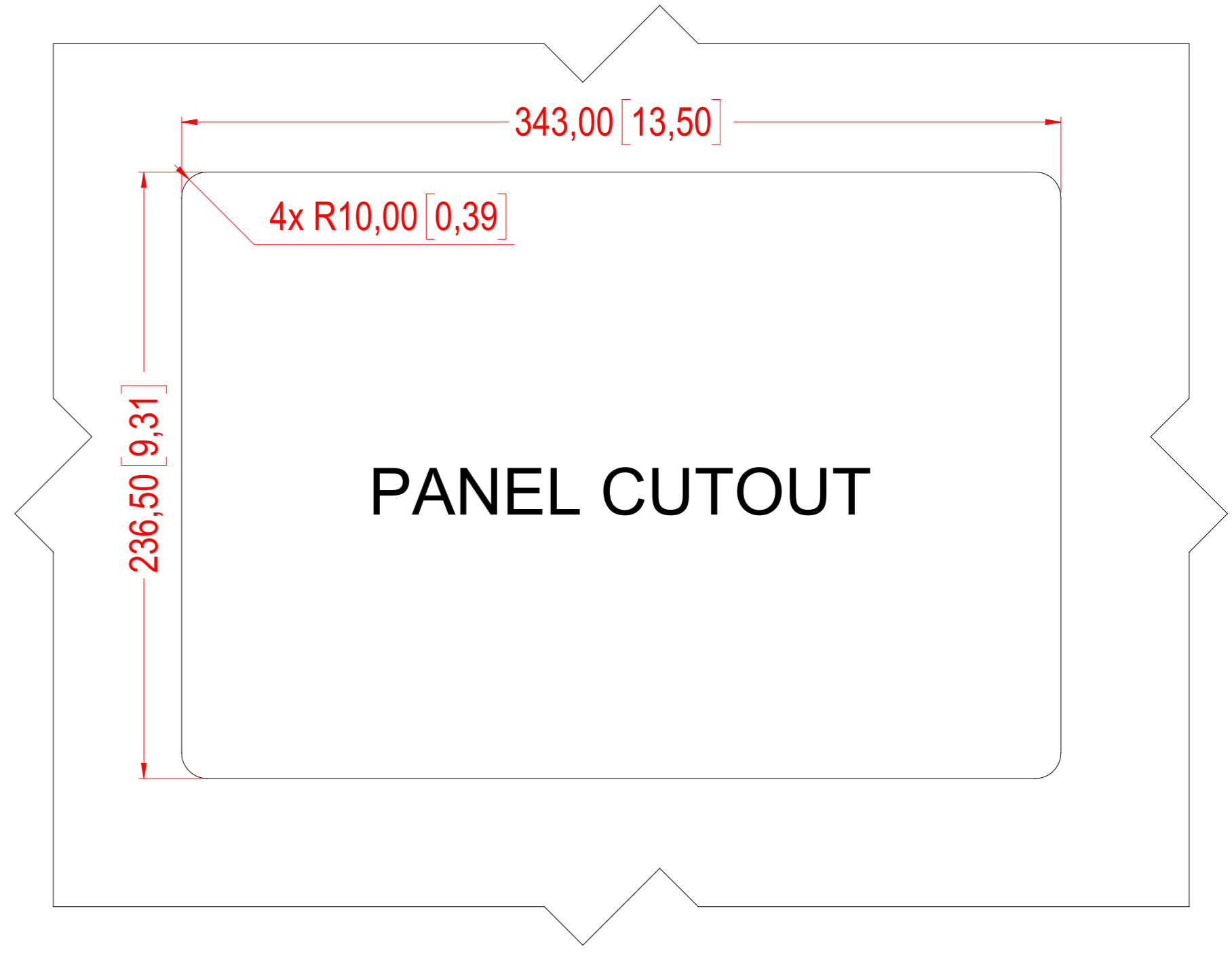
TOP VIEW



DIMETRIC VIEW



PANEL CUTOUT



Units: mm [inches]

SALES DRAWING HD 13T30 MMC-206-3AQ1AA
 model shown in this drawing, but measurements generally apply for all HD 13T30 MMC-xxx-xxxxAx models

Creation date / by:	09.07.13 / 7251	Projection:	A1	HATTELAND TECHNOLOGY an EMBRON Company
Last rev. date / by:	/		Scale: 1:2	Approved by: _____ Revision: 01
Hatteland Technology AS Eikeskogvegen 52 N-5570 Aksdal			Tolerance: ISO 2768-mK	Drawing number: A010771